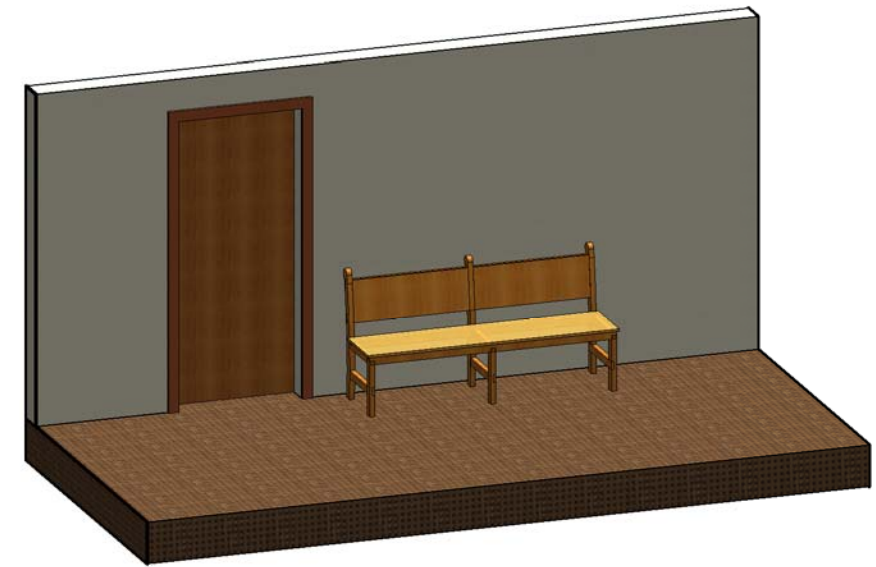


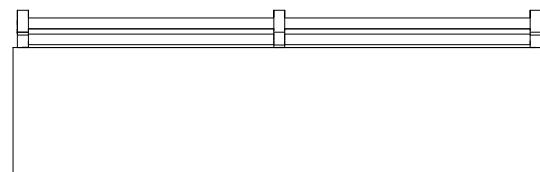
1 3D Room Perspective



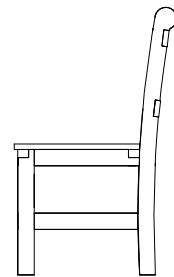
6 Bench Only 3D View



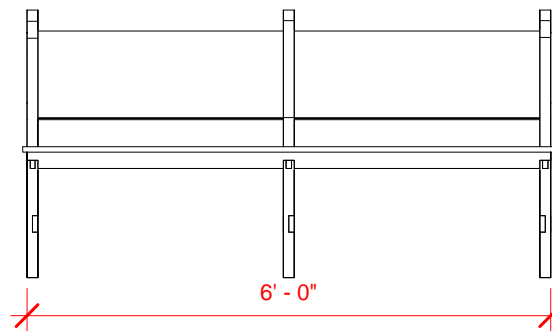
5 3D Partial Room View



2 Top View  
1/2" = 1'-0"



3 Right Side View  
1/2" = 1'-0"



4 Front View  
1/2" = 1'-0"



7 3D Underside View



Devin Spangler  
Eagle Scout Project



Space  
Bench

No.	Description	Date

3D Views

Project number	Project Number	<b>B1</b>
Date	Issue Date	
Drawn by	Author	
Checked by	Checker	
Scale		1/2" = 1'-0"



○ Photograph 1  
1/4" = 1'-0"



○ Photograph 2  
1/4" = 1'-0"



○ Photograph 3  
1/4" = 1'-0"



○ Photograph 4  
1/4" = 1'-0"



Devin Spangler  
Eagle Scout Project



Space  
Bench

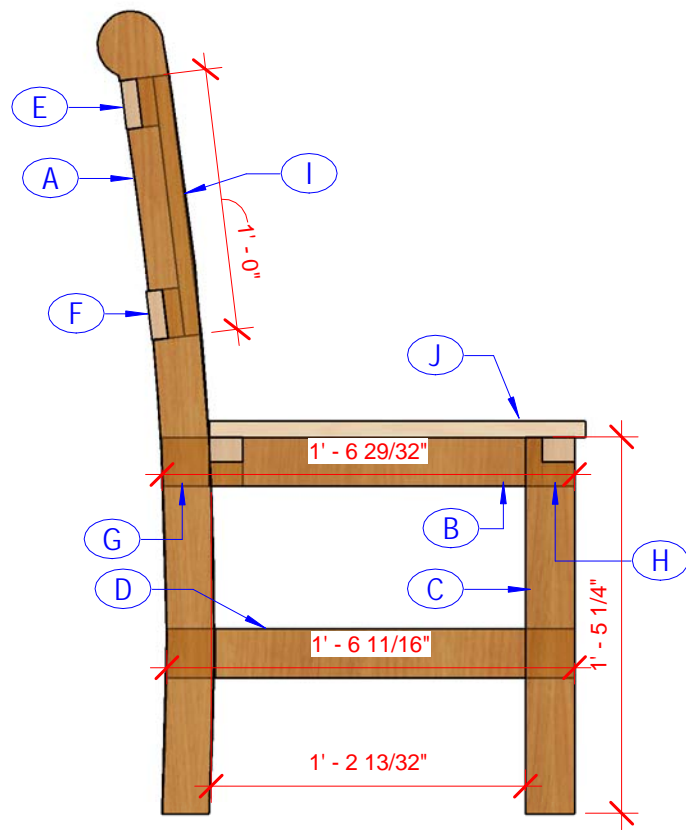
No.	Description	Date

### Renderings

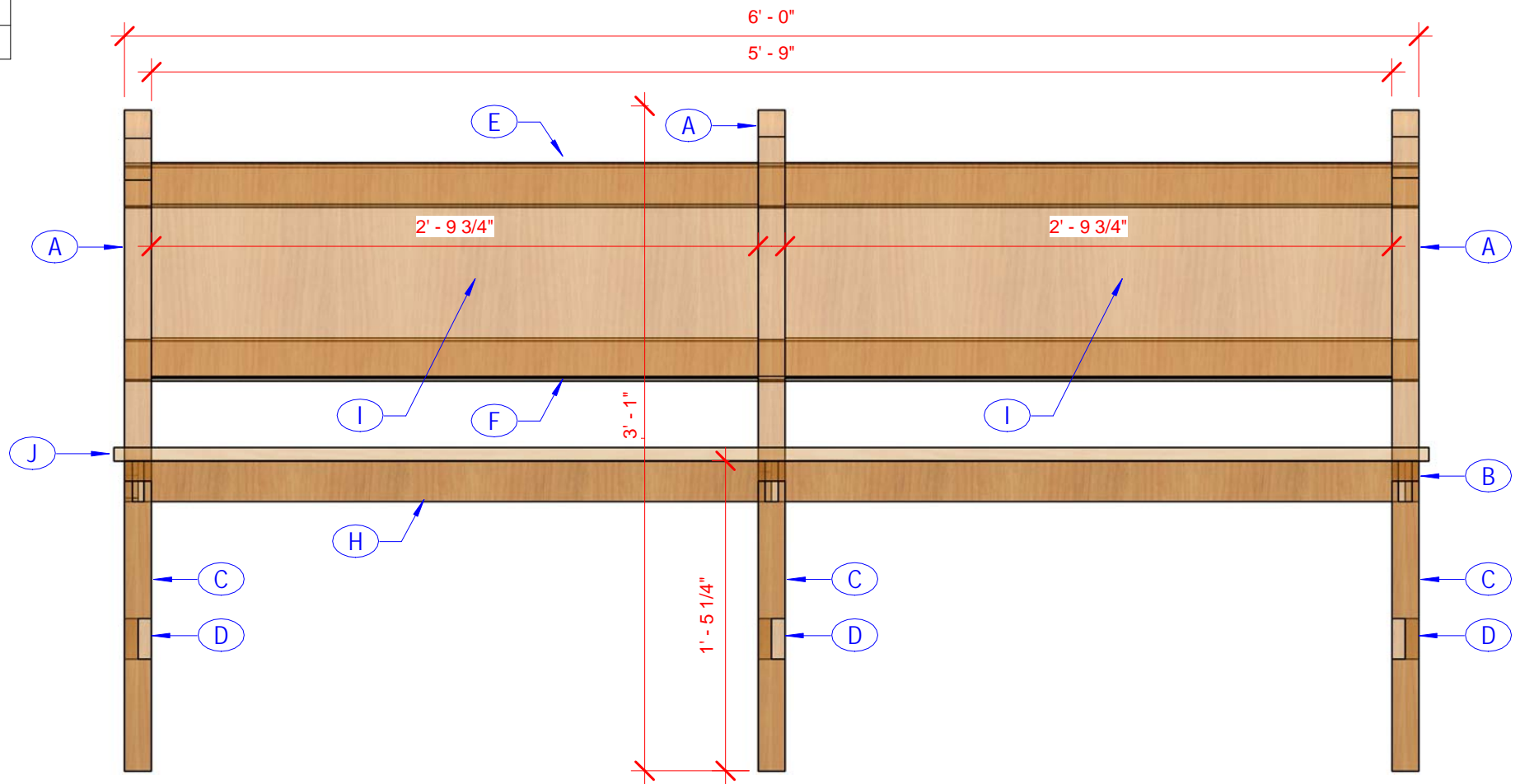
Project number	Project Number	<b>B2</b>
Date	Issue Date	
Drawn by	Author	
Checked by	Checker	
Scale 1/4" = 1'-0"		



Material List			
ID	Dimensions	Cut From	Qty
A	2 1/4" x 1 1/2" x 3'-1"	2"x8"x8'	3
B	2 1/4" x 1 1/2" x 1'-7"	2"x8"x8'	3
C	2 1/4" x 1 1/2" x 1'-5 1/4"	2"x8"x8'	3
D	2 1/4" x 1 1/2" x 1'-6 3/4"	2"x8"x8'	3
E	2 1/4" x 1 1/2" x 6'	2"x8"x8'	1
F	2 1/4" x 1 1/2" x 6'	2"x8"x8'	1
G	2 1/4" x 1 1/2" x 6'	2"x8"x8'	1
H	2 1/4" x 1 1/2" x 6'	2"x8"x8'	1
I	2'-9 3/4" x 1' x 3/4"	4'x8' Plywood	2
J	1'-5 1/4" x 6'-1 1/2" x 3/4"	4'x8' Plywood	1



① Left Side Dimensions  
1 1/2" = 1'-0"



② Front View Dimensions  
1 1/2" = 1'-0"



Devin Spangler  
Eagle Scout Project



Space  
Bench

No.	Description	Date

Dimensions

Project number	Project Number	<b>B3</b>
Date	Issue Date	
Drawn by	Author	
Checked by	Checker	
Scale 1 1/2" = 1'-0"		

Itemized Lumber			
ID	Dimensions	Cut From	Qty
A	2 1/4" x 1 1/2" x 3'-1"	2"x8"x8'	3
B	2 1/4" x 1 1/2" x 1'-7"	2"x8"x8'	3
C	2 1/4" x 1 1/2" x 1'-5 1/4"	2"x8"x8'	3
D	2 1/4" x 1 1/2" x 1'-6 3/4"	2"x8"x8'	3
E	2 1/4" x 1 1/2" x 6'	2"x8"x8'	1
F	2 1/4" x 1 1/2" x 6'	2"x8"x8'	1
G	2 1/4" x 1 1/2" x 6'	2"x8"x8'	1
H	2 1/4" x 1 1/2" x 6'	2"x8"x8'	1
I	2'-9 3/4" x 1' x 3/4"	4'x8' Plywood	2
J	1'-5 1/4" x 6'-1 1/2" x 3/4"	4'x8' Plywood	1

Item	Size	Act Size	Qty	Wood Type	1 Piece	1 Bench	4 Benches
A-H	2x8x8	1.5"x7.25"x8'	8' qty:4	Knot free Quality - 2 x 8 x 8	7.95	31.80	127.20
I - J	3/4"	0.75"x4'x8'	8' qty:1	Highest Quality Plywood - 4 x 8	52.95	52.95	211.80

Total Lumber Costs	339.00
Printing Costs	576.00
Screws, Sandpaper, Drill bits, misc	100.00
Meals for labor	80.00
Plaques	50.00
Paint	50.00
<b>Total Project Costs</b>	<b>\$1,195.00</b>



SALES ESTIMATE	
Estimate #	SE028412
Version #	1
Estimate Date	05/03/13
Page	1
Terms	Payment with order
Customer ID	C000408

Date: 05/03/13

To: John Spangler  
 Company: John Spangler  
 Phone: 407-647-1039  
 E-mail: john@spangler.net

From: Christina Brandes / John Billingham - COD  
 Phone: 407-843-1492  
 Fax: 407-649-9171

Price Estimate	Project Total	\$	576.00
----------------	---------------	----	--------

Bench Graphics Total:\$ 576.00

Quantity: 4 at 18"x72"  
 : 4 at 16"x69"  
 Print Type: Mimaki 3M Controllac  
 Finishing: 3m Luster Lam



Space Bench

No.	Description	Date

Itemized Costs

Project number	Project Number	<b>B4</b>
Date	Issue Date	
Drawn by	Author	
Checked by	Checker	Scale